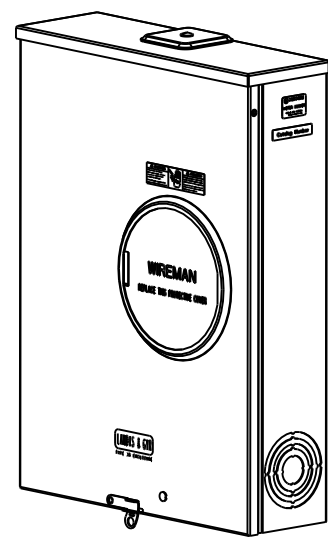


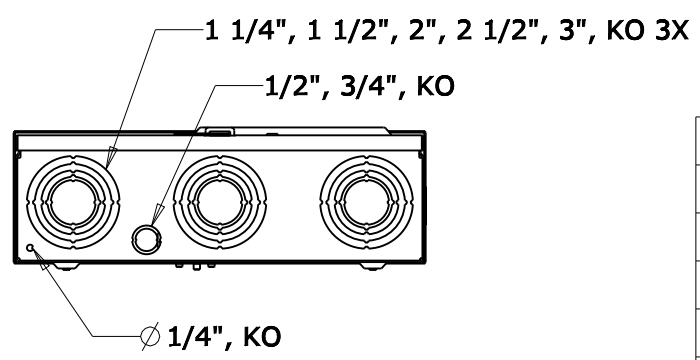
ITEM	QTY	PART NO.	DESCRIPTION
1	1	36235	LABEL UL METER SOCKET
2	1	55301	LEAD FOR GROUNDING TERMINAL
3	1	4810254	NEMA DANGER LABEL
4	1	5007585	PROTECTIVE COVER WAXED
5	1	5008271	COVER HQW ST 7/16B/L FORMED
6	1	5008299	CARTON HQ IPER 22.625x16.375x5.625
7	1	6509991	LUG GROUND #14-2 T/FEET
8	1	410001651301	CARTON LABEL, 48804-02NU
9	1	102-0004	CATALOG No. LABEL
10	2	112-2049	RIVET ANTI PRY 3/16
11	1	38595-ST	COVERPLATE SM ST KIT PTD W/HDWR
12	1	5007569-2	LABEL INFO HQW
13	1	5008291K	BASE HQW ST SHO W/BRKT 7/16
14	1	55302-1	SCREW 5/16-24x11/32
15	1	55302-2	CONNECTOR COLLAR FOR HQ
16	1	55707-3	SWING LATCH SM RIBBON
17	2	63168-8	SCREW SPL 1/4-20X7/8 PAN HEAD PHILLIPS TF
18	3	63170-2	SCREW SPL 1/4-20X9/16 FIL PH HD TF
19	1	64556-1A-AL	NEUTRAL BAR ASSY
20	1	64592-AL	BLOCK ASSEMBLY HQ5
21	1	66682-2	LABEL HANDLE BYPASS HQ
22	1	MO-11320	RIVET SS 9/64 X 1/4 OHD



DESIGN RESPONSIBILITY LOCATION:
SII-ITESA2

PRINT DISTRIBUTION
 ECN COPIES MUST BE ISSUED TO ALL CHECKED LOCATIONS FOR APPROVAL PRIOR TO CHANGE

SII-NOR DUR-LEB *
 SII-IT2 DUR-HOU *
 SII-BEL McPHER *



ECN NO	REV	DATE	DESCRIPTION	BY
10-184J2-01	A	15DEC10	NEW DRAWING	NT

UNLESS OTHERWISE SPECIFIED DIMENSIONS ARE IN INCHES
 TOLERANCES:
 .XX ± .02
 .XXX ± .015
 HOLE DIAMETER ± .003
 ANGULAR ± 1°
 UNDIMENSIONED 90° ANGLES ± 1°

DWN NT DATE 15DEC10
 CHK CC DATE 15DEC10
 APVD FJ DATE 15DEC10

-CONFIDENTIAL- PROPERTY OF
Siemens Industry, Inc.
 Building Technologies Division

200A 4J RGLS 1POS LVRBPS MS OH/UG OFFSET

SIZE B	ECN RELEASE NO. 10-184J2-01	DWG. NO. 48804-02NU	REV A
-----------	--------------------------------	-------------------------------	-----------------

SCALE 1:4 DO NOT SCALE DRAWING SHEET 1 OF 1

DIMENSIONS MARKED "REF" WILL RESULT IF TOLERANCES ARE SPLIT ON ALL RELATED DIMENSIONS. INSPECT TO TOLERANCED DIMENSIONS ONLY. UNLESS OTHERWISE SPECIFIED FEATURES DIMENSIONED ABOUT A CENTERLINE ARE TO BE SYMMETRICALLY LOCATED WITHIN ONE HALF OF STATED DIMENSIONAL TOLERANCES.